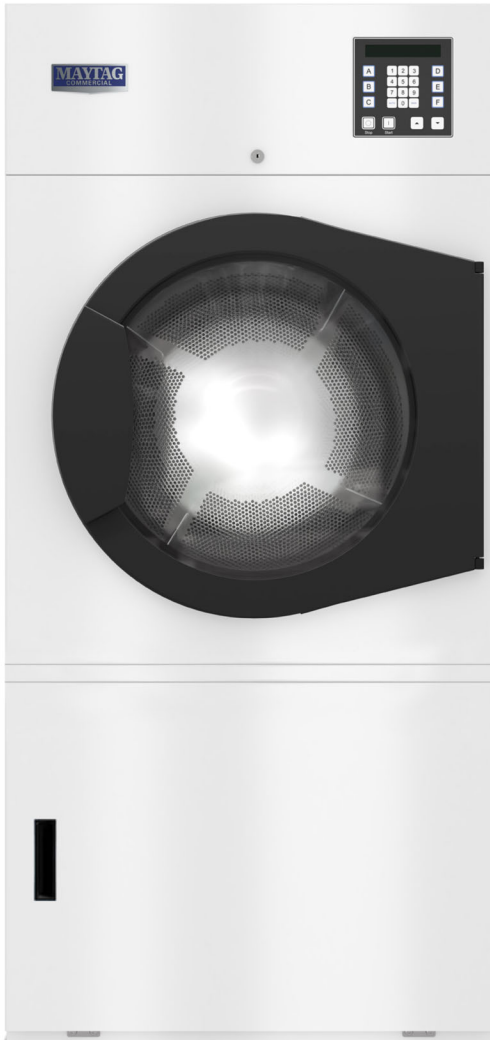


MAYTAG ADVANTAGE SERIES

DRYER • 35-LB CAPACITY • OPL
MDG36PN



OPL
MDG36PNAWW pictured above

The Maytag Advantage Series dryers offer elite drying power and fast cycles, helping minimize cost of ownership while boosting energy efficiency. They're built with simple, straightforward designs for low maintenance and quick, easy service. Programmable temperature cycles allow these dryers to tackle large loads with the exact drying power you need. When choosing Maytag Commercial Laundry, the Advantage is simple.

INTELLIGENT INVERTER DRIVE

Alternates the speed of the drum throughout the cycle, allowing for a soft controlled start and optimized tumbling during drying. The inverter drive also features a simple and reliable single drive belt system for easy serviceability.

STAINLESS STEEL BASKET WITH TAPERED RIBS

The Maytag Advantage Series comes standard with a stainless steel basket that helps modernize the look of your location and protect against corrosion.

TRANS-AXIAL AIRFLOW

Combining radial airflow patterns with axial heat input, trans-axial airflow maximizes efficiency while maintaining high performance.

SINGLE-PHASE REVERSING BASKET

The reversing tumbler rotation helps prevent "roping," eliminates uneven drying and prolonged dry times, and better separates larger items as the tumbler reverses—providing a better dry for a better customer experience. For business owners, the standard single-phase feature eliminates the need for costly electrical service upgrades.

ADDITIONAL FEATURES

- 35-lb capacity
- 5-Year Limited parts warranty
- Fire Suppression System
- Double-pane door glass
- Variable drum speed
- Pre-heat system
- Fully insulated cabinet
- Self-cleaning lint screen
- Direct spark ignition
- Two-point roller support
- Micro control with auto dry system
- Reversible door



AMERICA
AN AMERICAN COMPANY FOR OVER 100 YEARS

See maytagcommerciallaundry.com for warranty details.

VISIT MAYTAGCOMMERCIALLAUNDRY.COM FOR MORE INFORMATION.

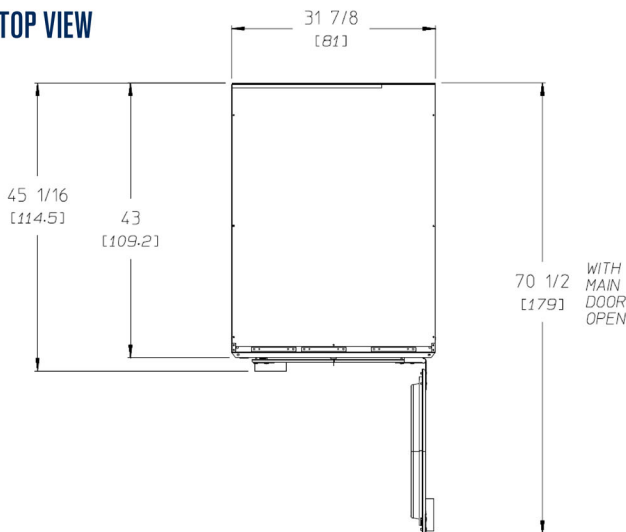
®/™ © 2025 Maytag. All rights reserved.
MY250430 08/25

MAYTAG ADVANTAGE SERIES

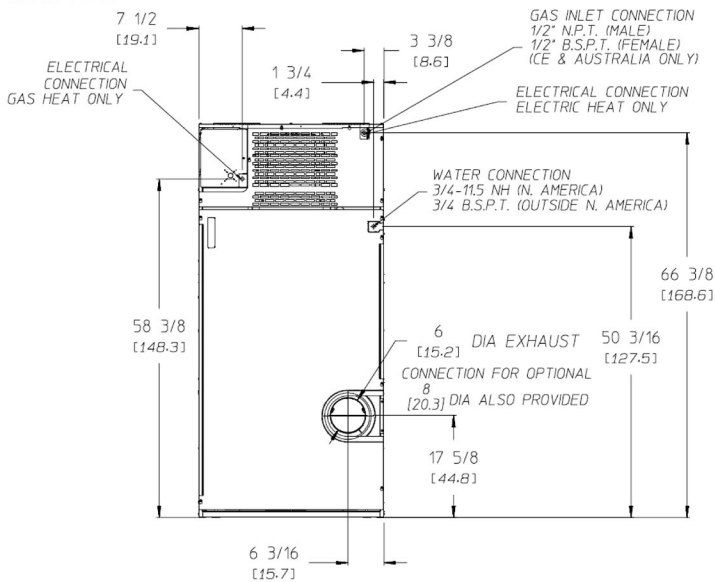
DRYER • 35-LB CAPACITY • OPL
MDG36PN



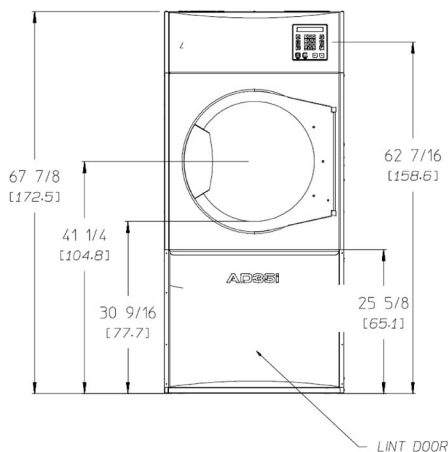
TOP VIEW



REAR VIEW



FRONT VIEW



MDG36PNAWW	OPL GAS
CAPACITY	
Maximum Capacity Dry Weight — lb (kg)	35 (15.87)
Tumbler Diameter — in. (cm)	30 (76.2)
Tumbler Depth — in. (cm)	29-3/8 (74.61)
Tumbler Volume — cu. ft. (L)	12.0 (339.8)
Tumbler/Drive Motor — hp (kW)	1 (0.75)
Blower/Fan Motor — hp (kW)	1/2 (.37)
DIMENSIONS	
Cabinet Width — in. (cm)	31-7/8 (80.96)
Cabinet Depth — in. (cm)	43 (109.22)
Cabinet Height — in. (cm)	67-7/8 (172.4)
Door Opening (diameter) — in. (cm)	21-1/2 (54.61)
Door Sill Height — in. (cm)	30-9/16 (77.62)
Dryers per 20'40' Container	10/22
Dryers per 48'53' Container	32/36
APPROXIMATE WEIGHT	
Net Weight — lb (kg)	552 (250.38)
Shipping Weight — lb (kg)	585 (265.35)
ELECTRICAL REQUIREMENTS	
Voltage Available	120V 1ø 2w 60 Hz
Approx. Amp Draw (Amps)	10.2
Breaker Size (Amps)	15
GAS / AIRFLOW / CONNECTIONS	
Airflow — CFM (CMM)	440 (12.46)
Heat Input — BTU/hr (kcal/hr)	70,000 (17,639)
Gas Inlet Connection Size — in.	1/2" N.P.T. (male)
Exhaust Connection (diameter) — in. (cm)	6 (15.24) / 8 (20.32)
Water Connection	3/4" - 11.5 NH (North America)



Dimensions are for planning purposes only. See specific instructions for proper installation. Because of continuous product improvement, Maytag reserves the right to change specifications without notice.